

## THE PULSE METHOD OF DETERMINING CORROSION-MECHANICAL DAMAGES AND THE RESIDUAL RESOURCE OF EQUIPMENT

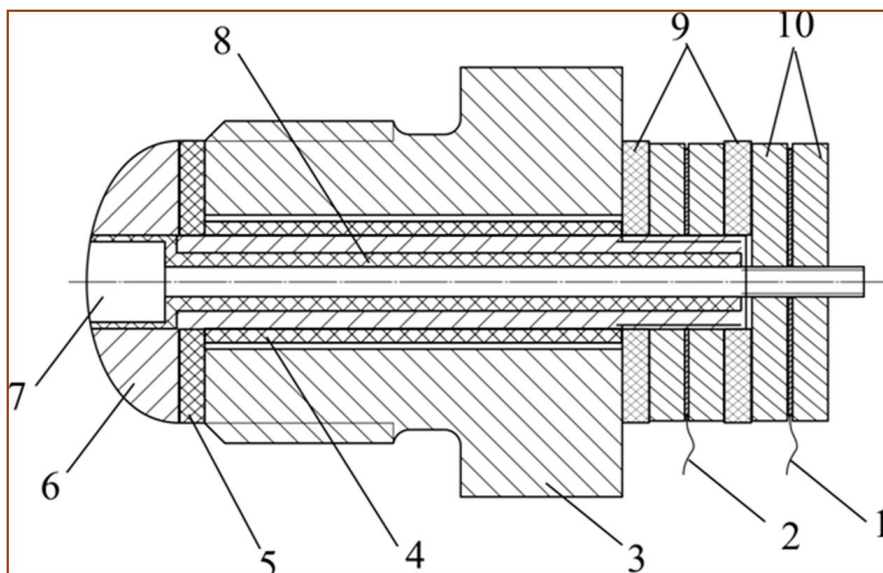
**Authors:** Arxy`pov O.G., Xoma M.S.

The pulse method is applied for determining corrosion-mechanical damages of equipment and the residual on the base of automatic monitoring of the equipment to be functioning at the aggressive environment.

To estimate the residual resource it is necessary to have precise information about the availability of cracks in the material, their quantity, dynamics of their appearance and progress.

Each appearance and progress of corrosion cracks is followed by generating electric pulses, the presence of which can be fixed by quanting corrosion-mechanical pulses attended while destruction. On the base of data received the conclusion about the state of the equipment at different stages of damage is done.

Due to SCADA system software the on-line control of the equipment state is possible. While approaching the emergency, the warning of personal and/or automatic disconnection of the equipment is done.



- 1 – контакт внутрішнього електроду;**
- 2 – контакт зовнішнього електроду;**
- 3 – корпус первинного перетворювача;**
- 4, 8 – ізолююча втулка; 5, 9 – ізолююча шайба;**
- 6 – зовнішній електрод;**
- 7 – внутрішній електрод; 10 – гайка**